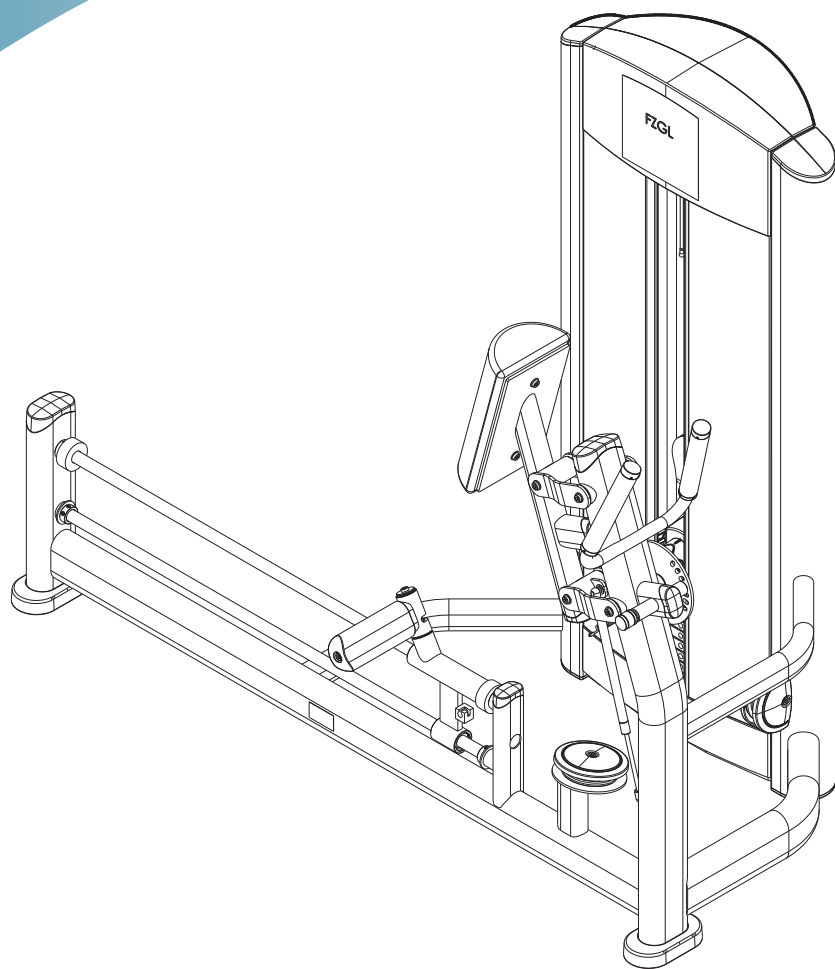


# Signature Series Single Station Glute

FZGL

## Parts List



*LifeFitness*  
WHAT WE LIVE FOR

# FZGL GLUTE CONTENTS

---

FRAME AND UPHOLSTERY COLORS..... 3

SHROUD OPTIONS..... 4

COMPONENT ASSEMBLY..... 5

COMPONENT ASSEMBLY II..... 6

COMPONENT ASSEMBLY LEGEND..... 7

MID-9 TOWER ASSEMBLY..... 8

STANDARD PLASTIC TOWER ASSEMBLY..... 9

OPTIONAL WRAPPED SHROUDS..... 10

MID-9 WEIGHT STACK ASSEMBLY..... 11

5 LB. INCREMENT WEIGHT ASSEMBLY..... 12

10 LB. INCREMENT WEIGHT ASSEMBLY..... 13

15 LB. INCREMENT WEIGHT ASSEMBLY..... 14

OPTIONAL LIGHT MID-9 WEIGHT STACK ASSEMBLY..... 15

OPTIONAL 2.5 LB. INCREMENT WEIGHT ASSEMBLY..... 16

OPTIONAL 5 LB. INCREMENT WEIGHT ASSEMBLY..... 17

OPTIONAL 7.5 LB. INCREMENT WEIGHT ASSEMBLY..... 18

HEAD PLATE ASSEMBLY..... 19

HEAD PLATE ASSEMBLY LEGEND..... 20

IMAGE..... 21

# FZGL GLUTE FRAME AND UPHOLSTERY COLORS

---

## Strength Frame Colors



Platinum



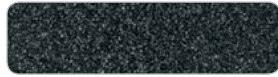
White



Black



Ice Blue Metallic



Midnight Metallic



Nickel



Blue



Red



Yellow



Candy Apple Red

Note: Include frame color in pick-slip notes when ordering frame assemblies or weldments.

## Strength Upholstery Colors



American Beauty Red 07



Azure 20



Black 01



Cranberry 04



Graphite 22



Hunter Green 13



Regimental Blue 14



Royal Blue 02



Slate 03



Wheat 21



Burgundy 29



Candy Apple Red 28



Chestnut 34



Concord 16



Crocus 19



Dove Gray 37



Emerald 27



Grotto 25



Gun Metal 39



Imperial Blue 33



Jade 26



Navy 32



Northwoods Green 05



Paprika 35



Plum 30



Putty 38



Space Blue 06



Suede 08



Terra Cotta 36



Turquoise 17

Note: Replace XX with above color suffix when ordering pads (ie. 74123XX = 7412301 Black)  
Use 99 suffix for custom upholstery.

# FZGL GLUTE SHROUD OPTIONS

## STANDARD SHROUD NO WRAP



TRANSLUCENT



## OPTIONAL StackWraps™ SHROUD + WRAP

BAMBOO



BRONZE



ROSEWOOD



SKY



STAINLESS STEEL



STEM



## CO-BRANDED StackWraps™

SHROUD + WRAP

(refer to co-branded parts list)



PLANET FITNESS

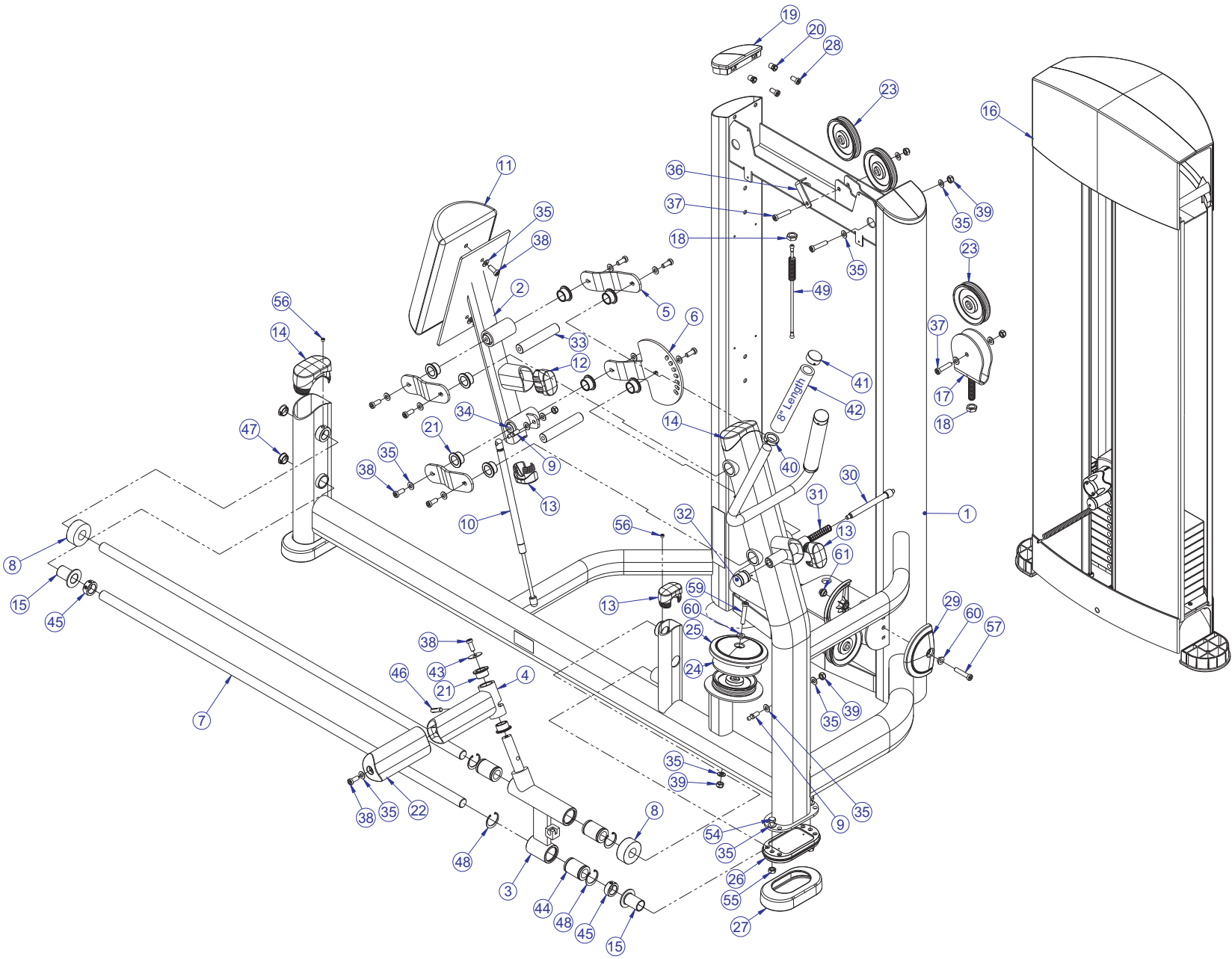


BLINK FITNESS



RETRO FITNESS

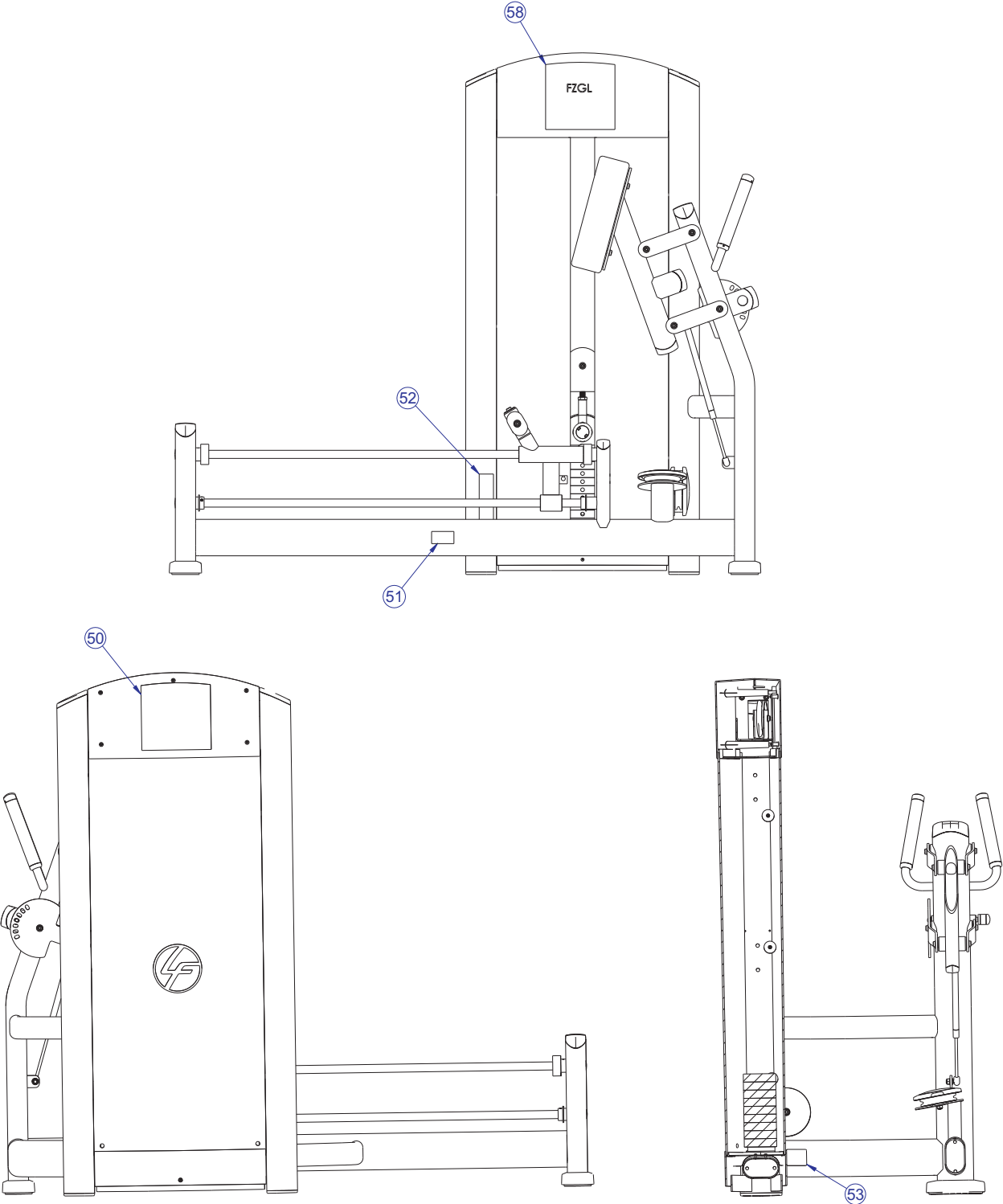
# FZGL GLUTE COMPONENT ASSEMBLY



SEE PAGE 7 FOR LEGEND

# FZGL GLUTE COMPONENT ASSEMBLY II

---



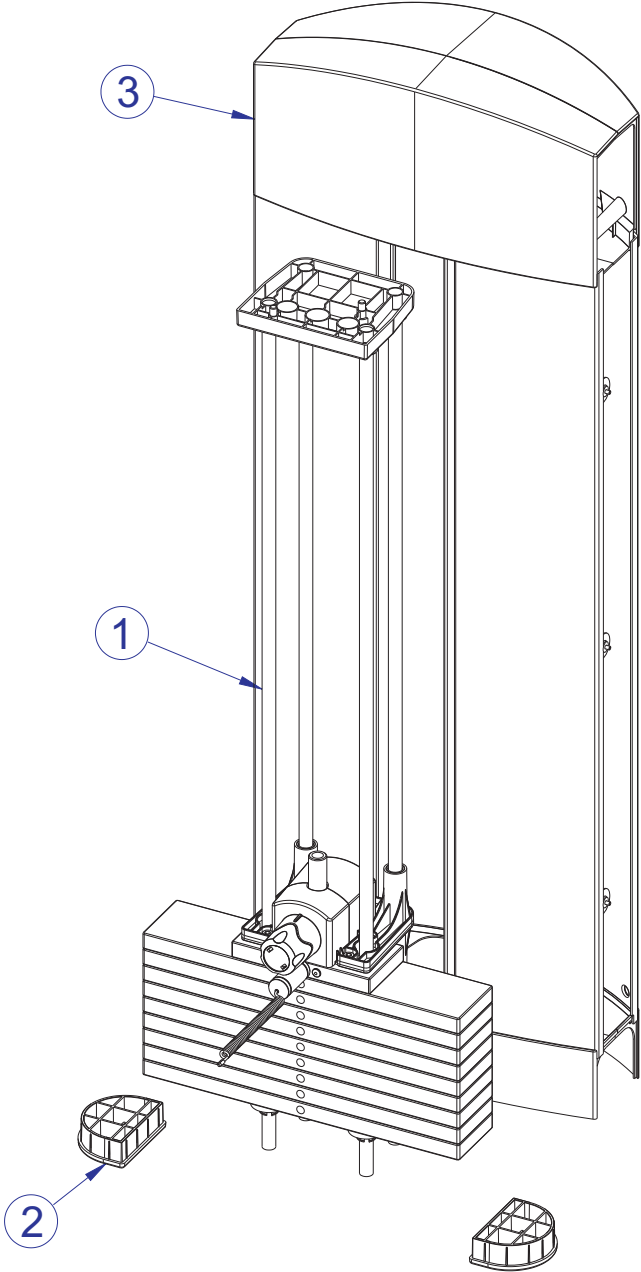
SEE PAGE 7 FOR LEGEND

# FZGL GLUTE COMPONENT ASSEMBLY LEGEND

ITEM NO.	QTY.	PART NO.	DESCRIPTION
1	1		WLDMT, FZGL FRAME
2	1	7619401	WLDMT, FZGL CHEST SUPPORT
3	1	7619901	WLDMT, FZGL CART
4	1	7620401	WLDMT, FZGL FOOT BAR
5	3	7620701	BRKT, FZGL PIVOT LINK
6	1	7620801	BRKT, FZGL PIVOT ADJ LINK
7	2	7619801	GUIDE ROD, 1" DIA CASE X 52"
8	2	3108001	CUSHION, WEIGHT STACK
9	2	7414301	STUD, M10 BALL END M10 X 1.5
10	1	3235703	SPRING, GAS 80N
11	1	76264XX	PAD, LUMBAR, NO BACKER
12	1	7317901	STOP, BUMPER
13	3	7333801	CAP, SMALL FLOV- END
14	2	7333901	CAP, LARGE FLOV- END
15	2	6714901	BUSHING, GUIDE ROD 1 ID X 2
16	1	7420301	ASSY, MID TOWER-9
17	1	7625095	WLDMT, FZ WT STK PULLEY BRKT
18	2	3236902	NUT, M16 X 2 HEX JAM SS
19	2	7326201	CAP, D-TUBE - TOP
20	4	3238601	M10X1.5 THREADED INSERT (HEX)
21	10	3104903	1.00" ID 1.25" OD BRNZ BUSHING
22	1	7620901	SLEEVE, 1.63 X 2.75 FLOV
23	5	3237801	PULLEY, 4.5" OD
24	1	7318201	PLATE, PULLEY
25	1	8102901	COVER, PULLEY-BOLTED FULL
26	2	7334001	FOOT, 2.50 X 4.49 FLOV
27	2	7340201	COVER, FOOT - STRAIGHT
28	4	3236201	SCREW, M10 X1.5 20MM
29	2	8094101	COVER, PULLEY-BOLTED PARTIAL
30	1	7425102	PIN, PULL X 6.75
31	1	7351501	SPRING; PULL PIN LARGE
32	1	7424801	KNOB, POP PIN
33	2	7324902	SHAFT, TAPPED 1 DIA X 5.330
34	2	7324904	SHAFT, TAPPED 1 DIA X 3.580
35	25	3236601	WASHER, 3/8 SAE SS
36	1	6757701	CLIP, CABLE 2-7/8 X 1 X 1
37	3	3236206	SCREW, M10 X1.5 45MM
38	12	3236202	SCREW, M10 X1.5 25MM
39	6	3236801	NUT, M10 HEX NYLOCK SS
40	2	7662802	RING, GRIP 1.50 OD
41	2	7662902	CAP, GRIP 1.50 OD
42	2	3235802	GRIP, SHADOW GRAY, 8.00"
43	1	3236701	WASHER, FENDER 3/8" IDX1.5"OD
44	3	3245601	BEARING, LINEAR 1" ID
45	2	7435301	COLLAR, SHAFT 1.020 ID
46	1	3253501	PIN, GROOVE 3/8 DIA X 1-1/2
47	2	3237403	PLUG, 1" HOLE
48	4	3202601	RET RING, INT 1-3/4 DIA X1/16
49	1	7423719	CABLE, FZGL
50	1	7509801	LABEL, FZGL LOGO
51	1	7422003	LABEL, MOVING PARTS
52	1	7422004	LABEL, 2" ASTM WARN
53	1	7571301	LABEL, SERIAL NUMBER
54	4	3251202	SCREW, M10 X1.5 X 25MM HEX Z
55	4	3254703	NUT, M10 X 1.5 HEX ZINC
56	2	3242901	SCREW, SET BO
57	1	3236207	SCREW, M10 X1.5 50MM
58	1	7509701	LABEL, FZGL PLACARD
59	1	3236208	SCREW, M10 X1.5 55MM
60	2	7630101	RETAINER, CM/MJ, PULLEY
61	1	7335401	NUT, M10 X 1.5 SOCKET HEAD

# FZGL GLUTE MID-9 TOWER ASSEMBLY - 7420301

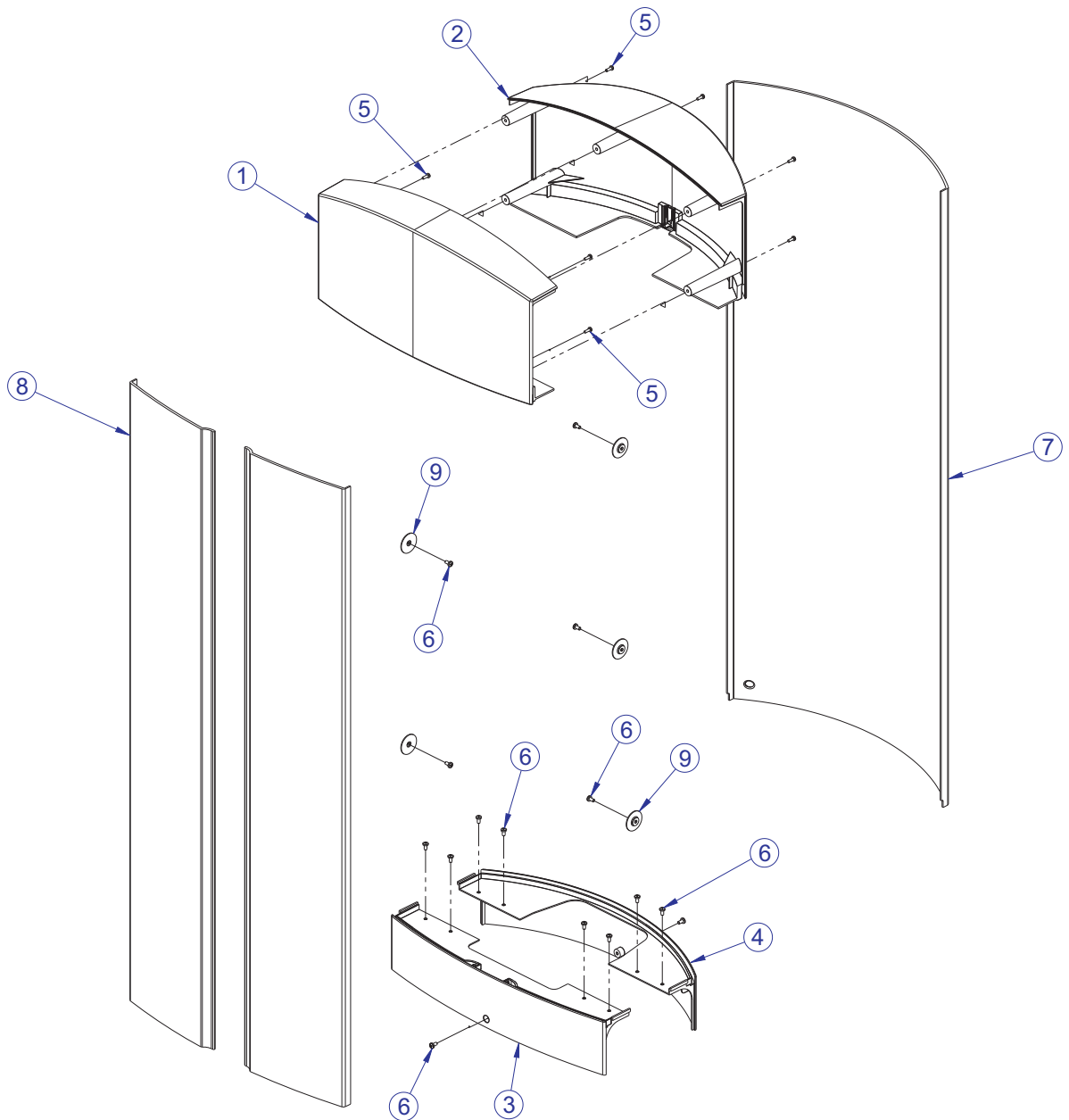
---



ITEM NO.	QTY.	PART NO.	DESCRIPTION
1	1	7420001	ASSY, WEIGHT STACK MID-9
2	2	7326301	CAP, D-TUBE-BTM
3	1	7419801	ASSY, TOWER PLASTICS-MID

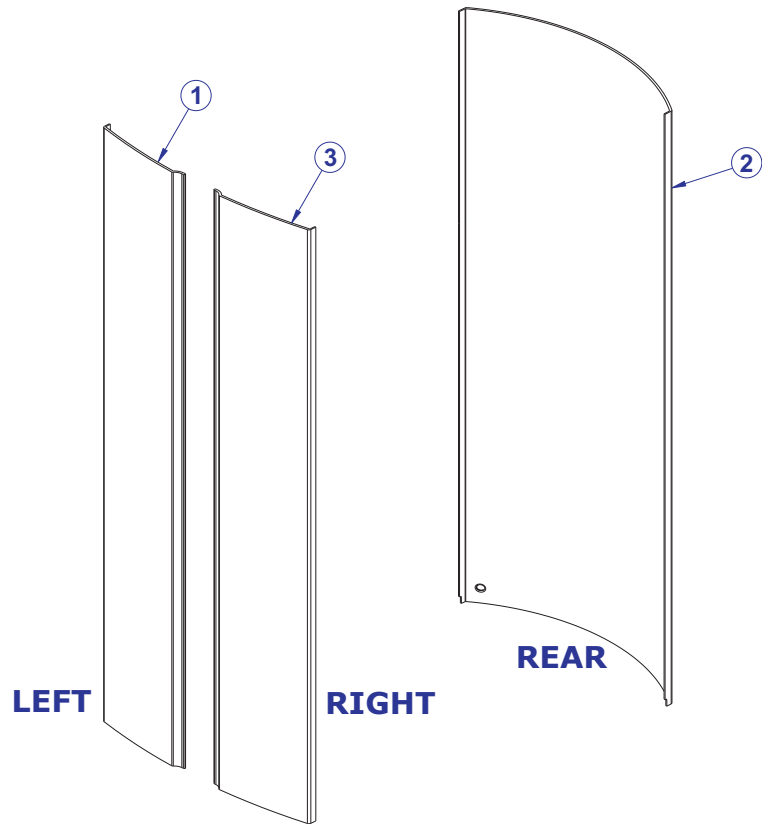



# FZGL GLUTE STANDARD PLASTIC TOWER ASSEMBLY - 7419801





ITEM NO.	QTY.	PART NO.	DESCRIPTION
1	1	7318601	COVER, TOWER- TOP FRONT
2	1	7318701	COVER, TOWER- TOP REAR
3	1	7318801	COVER, TOWER- BOTTOM FRONT
4	1	7318901	COVER, TOWER- BOTTOM REAR
5	9	3236501	M4 X 0.7 PHL PAN MS ST ZN
6	16	3239101	SCREW, M5X10 PHL PAN TT ST
7	1	7765701	SHROUD, TOWER- REAR SHORT
8	2	7765601	SHROUD, TOWER- FRT SHORT RH
9	6	7583501	RETAINER, FZ SHROUD


# FZGL GLUTE OPTIONAL WRAPPED SHROUDS





BAMBOO		ITEM NO.	QTY.	PART NO.	DESCRIPTION
		1	1	8954201	SHROUD, FZ, FNT, SRT, LT -BAMBOO
		2	1	8949101	SHROUD, FZ, REAR, SRT -BAMBOO
		3	1	8949001	SHROUD, FZ, FNT, SRT, RT -BAMBOO

SKY		ITEM NO.	QTY.	PART NO.	DESCRIPTION
		1	1	8954301	SHROUD, FZ, FNT, SRT, LT -SKY
		2	1	8949301	SHROUD, FZ, REAR, SRT -SKY
		3	1	8949201	SHROUD, FZ, FNT, SRT, RT -SKY

BRONZE		ITEM NO.	QTY.	PART NO.	DESCRIPTION
		1	1	8954401	SHROUD, FZ, FNT, LT - BRONZE
		2	1	8949501	SHROUD, FZ, REAR -BRONZE
		3	1	8949401	SHROUD, FZ, FNT, SRT, RT -BRONZE

STEM		ITEM NO.	QTY.	PART NO.	DESCRIPTION
		1	1	8954501	SHROUD, FZ, FNT, SRT, LT -STEM
		2	1	8949701	SHROUD, FZ, REAR, SRT -STEM
		3	1	8949601	SHROUD, FZ, FNT, SRT, RT -STEM

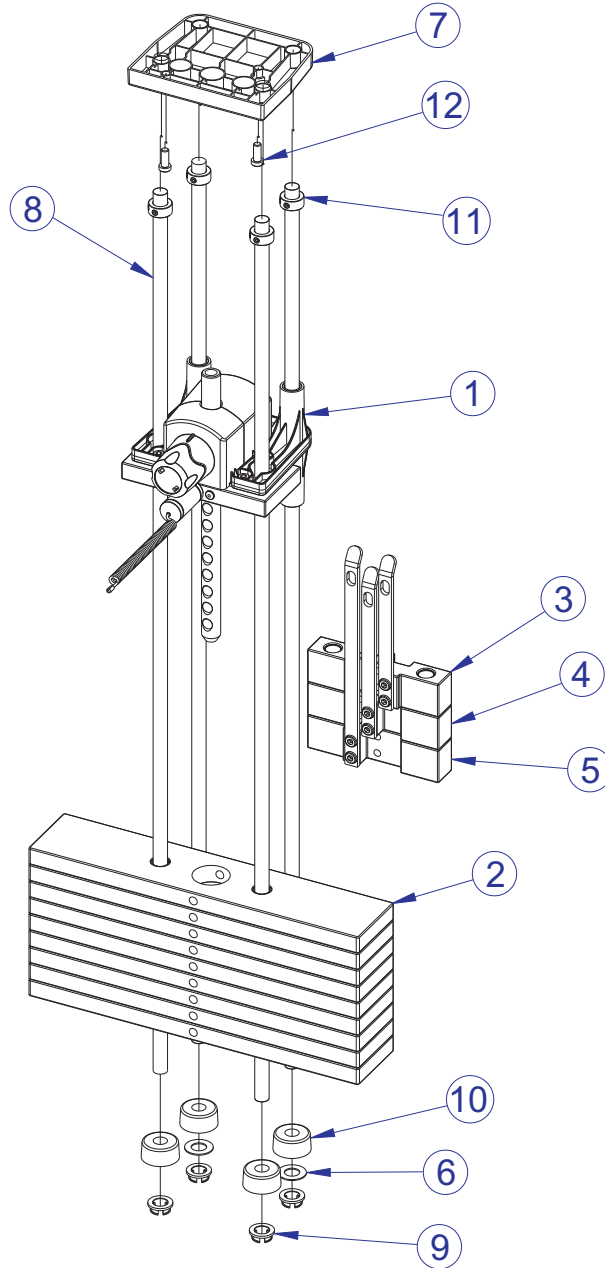
ROSEWOOD		ITEM NO.	QTY.	PART NO.	DESCRIPTION
		1	1	8954601	SHROUD, FZ, FNT, SRT, LT -ROSEWOOD
		2	1	8949901	SHROUD, FZ, REAR, SRT -ROSEWOOD
		3	1	8949801	SHROUD, FZ, FNT, SRT, RT -ROSEWOOD

STAINLESS STEEL		ITEM NO.	QTY.	PART NO.	DESCRIPTION
		1	1	8954701	SHROUD, FZ, FNT, SRT, LT -STAINLESS STEEL
		2	1	8950101	SHROUD, FZ, REAR, SRT -STAINLESS STEEL
		3	1	8950001	SHROUD, FZ, FNT, SRT, RT-STAINLESS STEEL

# FZGL GLUTE MID-9 WEIGHT STACK ASSEMBLY - 7420001

## WEIGHT STACK LABELS

7927201	LABEL, 390 LB STACK
7927301	LABEL, 195 KG STACK

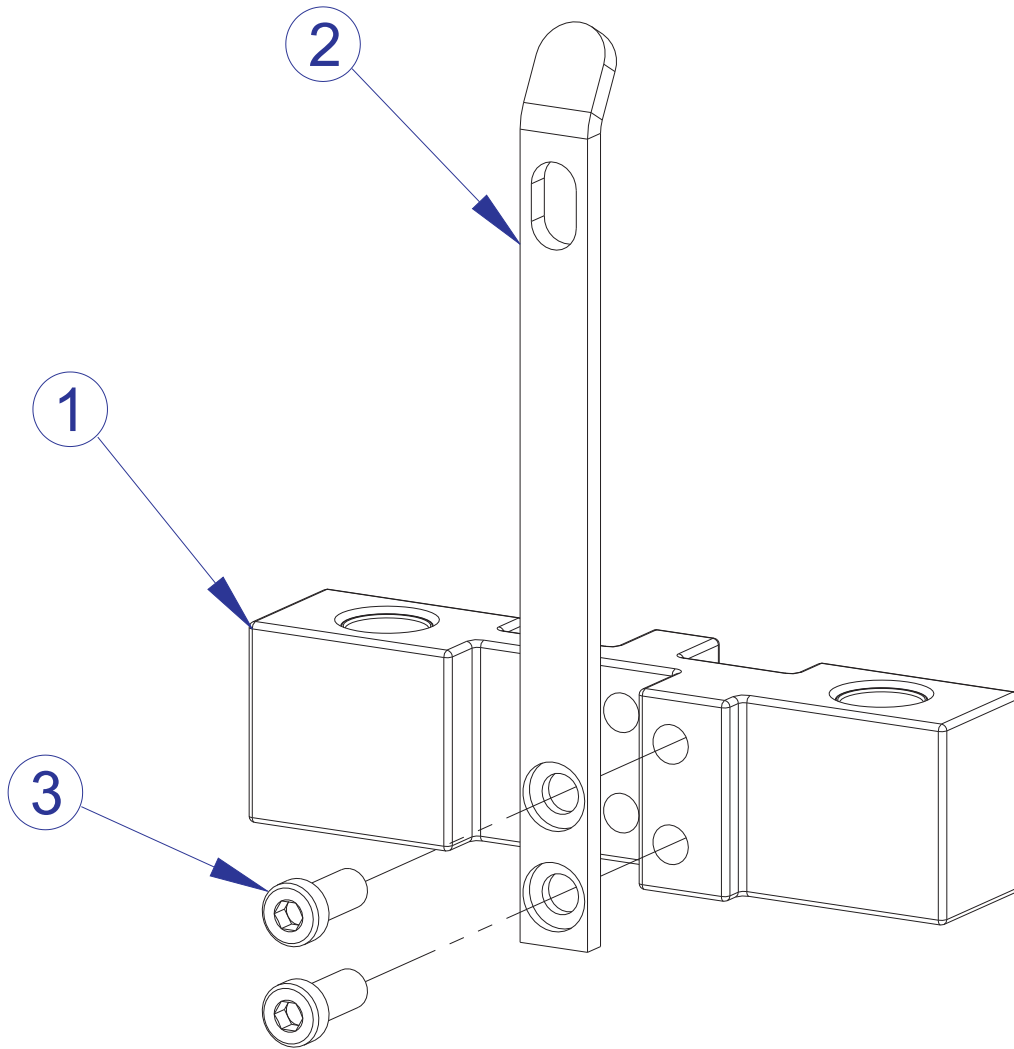


ITEM NO.	QTY.	PART NO.	DESCRIPTION
1	1	7350601	ASSY, HEAD PLATE (9)
2	9	7328401	WEIGHT PLATE, 20 LB
3	1	7327601	ASSY, INCREMENT WT-5LB
4	1	7327701	ASSY, INCREMENT WT-10LB
5	1	7327801	ASSY, INCREMENT WT-15LB
6	2	7351001	SPACER, INC WT STACK
7	1	7621101	RETAINER, GUIDE ROD-TOP
8	4	7328602	GUIDE ROD, .75 OD SOLID X 53.50
9	4	7337901	BUSHING, GUIDE ROD
10	4	7352101	CUSHION, WEIGHT STACK
11	4	3103301	SHAFT COLLAR, 3/4" ID ZINC
12	2	3236202	M10 X 1.5 X 25 HXS SOC CS SS

# FZGL GLUTE

## 5 LB. INCREMENT WEIGHT ASSEMBLY - 7327601

---

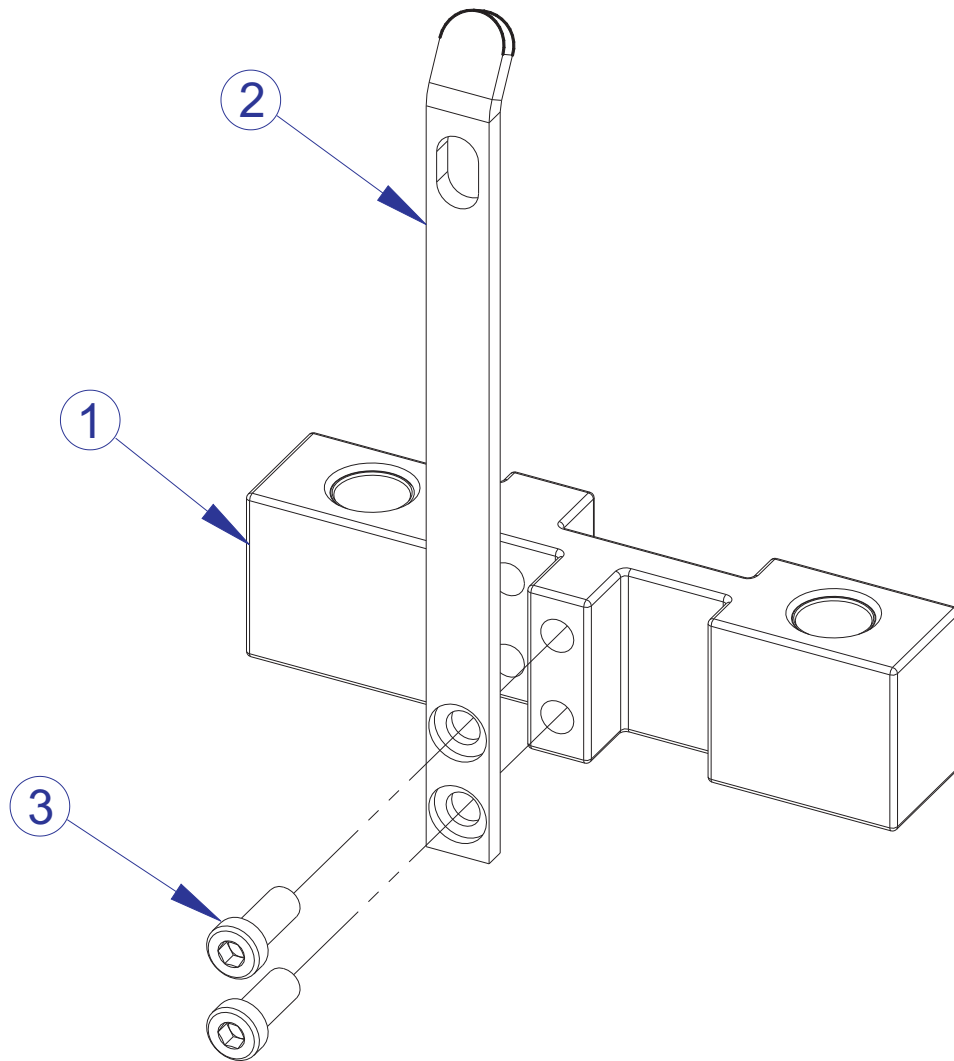


ITEM NO.	QTY.	PART NO.	DESCRIPTION
1	1	7968501	ASSY, FZ INC WEIGHT 5LB
2	1	7328001	BRKT, INCREMENT WT - 5 LB
3	2	3236202	SCREW, M10 X1.5 25MM

# FZGL GLUTE

## 10 LB. INCREMENT WEIGHT ASSEMBLY - 7327701

---

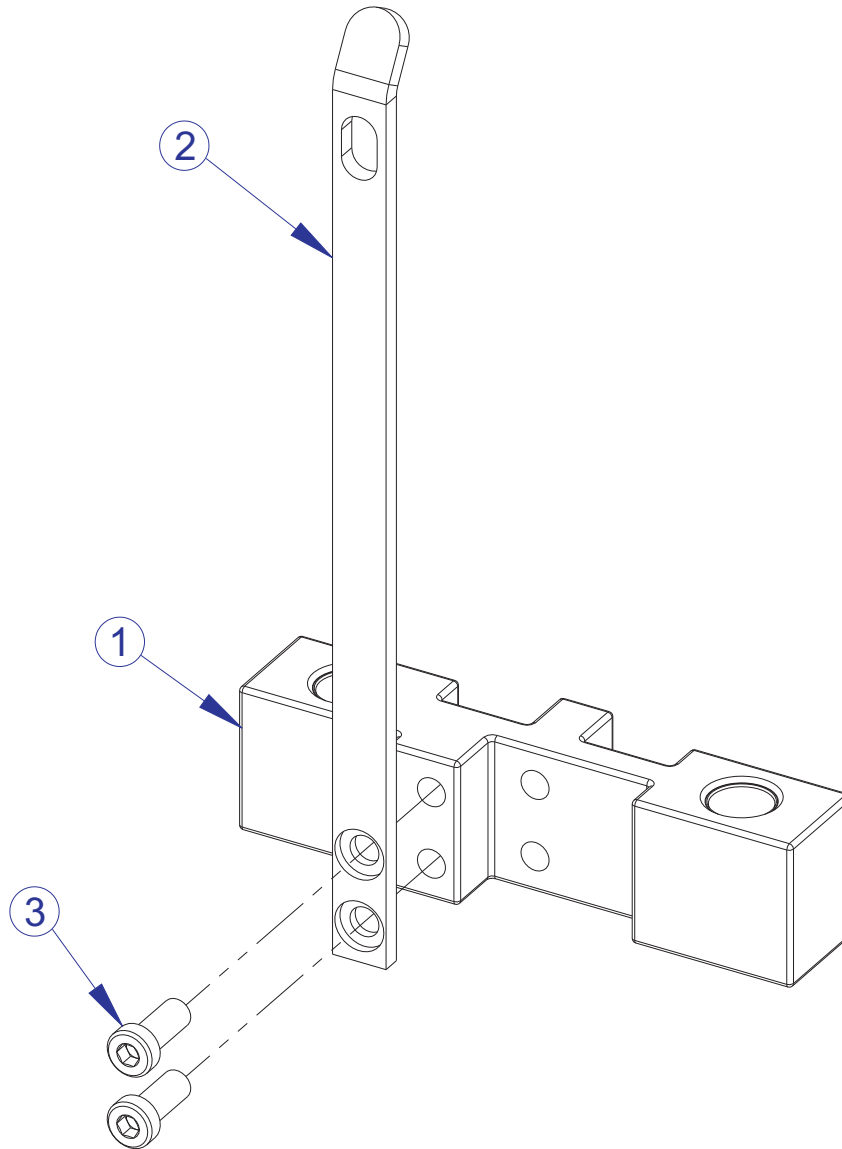


ITEM NO.	QTY.	PART NO.	DESCRIPTION
1	1	7968501	ASSY, FZ INC WEIGHT 5LB
2	1	7328101	BRKT, INCREMENT WT - 10 LB
3	2	3236202	SCREW, M10 X1.5 25MM

# FZGL GLUTE

## 15 LB. INCREMENT WEIGHT ASSEMBLY - 7327801

---

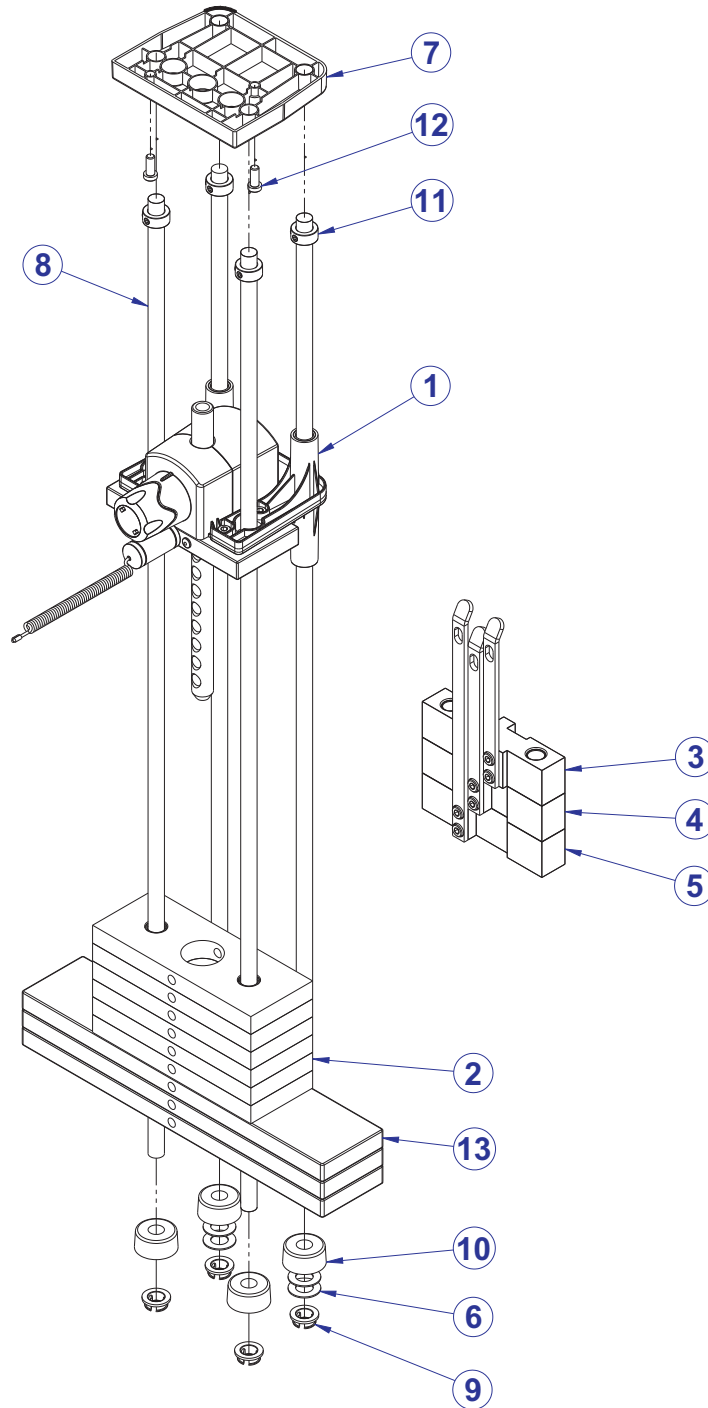


ITEM NO.	QTY.	PART NO.	DESCRIPTION
1	1	7968501	ASSY, FZ INC WEIGHT 5LB
2	1	7328201	BRKT, INCREMENT WT - 15 LB
3	2	3236202	SCREW, M10 X1.5 25MM

# FZGL GLUTE

## OPTIONAL MID LIGHT-9 WEIGHT STACK ASSY. - 8866101

WEIGHT STACK LABELS
8867101 LABEL, 190 LB STACK

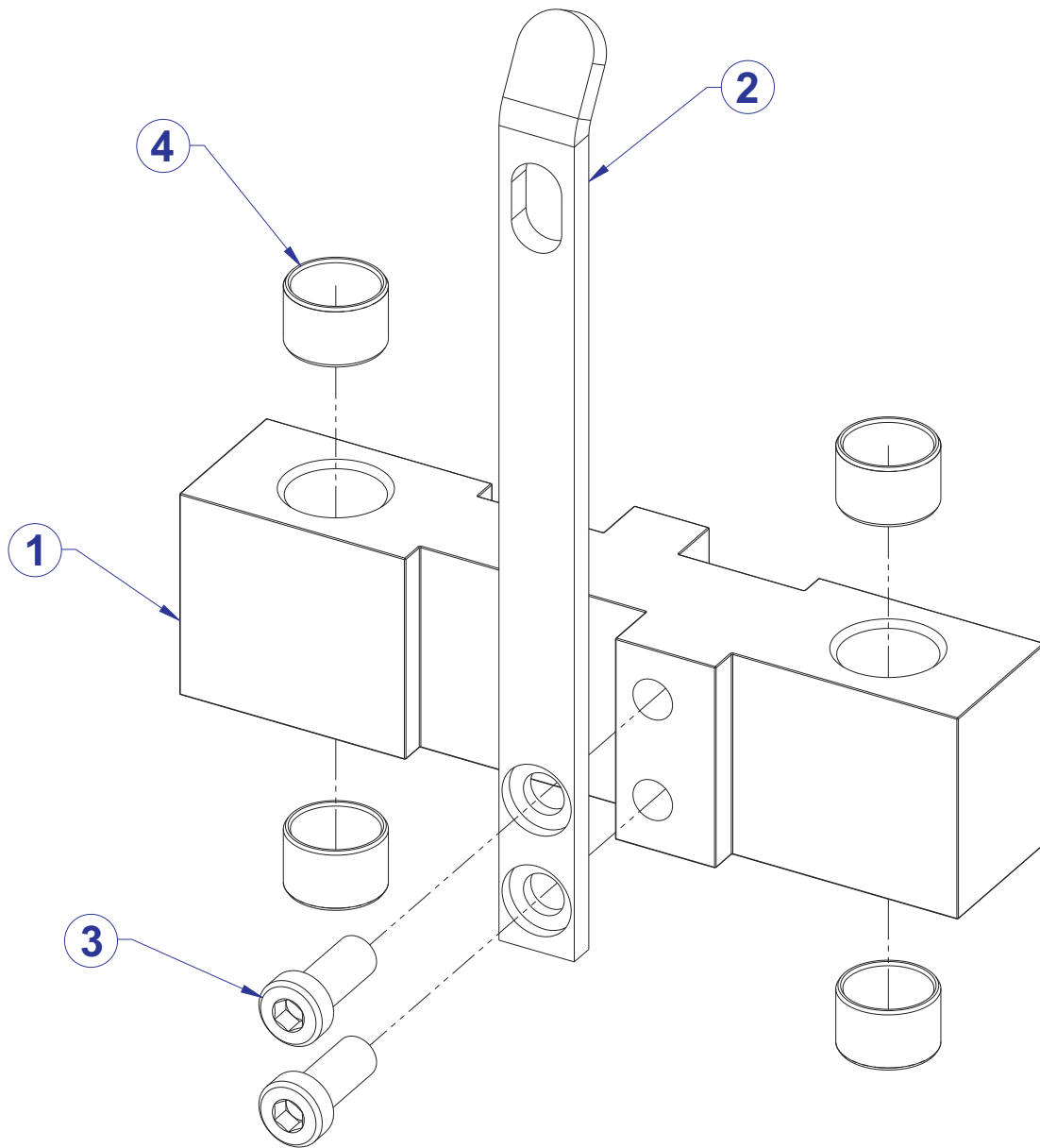


ITEM NO.	QTY.	PART NO.	DESCRIPTION
1	1	7350601	ASSY, HEAD PLATE (9)
2	6	7353701	ASSY, 10 LB PLATE
3	1	8861301	ASSY, FZ INC WEIGHT - 2.5 LB
4	1	8861401	ASSY, FZ INC WEIGHT - 5 LB
5	1	8861501	ASSY, FZ INC WEIGHT - 7.5 LB
6	4	7351001	SPACER, INC WT STACK
7	1	7621101	RETAINER, GUIDE ROD - TOP
8	4	7328602	GUIDE ROD, .75 OD SOLID 53.50
9	4	7337901	BUSHING, GUIDE ROD
10	4	7352101	CUSHION, WEIGHT STACK
11	4	3103301	SHAFT COLLAR, 3/4 I.D. ZINC
12	2	3236202	SCREW, M10 X1.5 25MM
13	3	7328401	WEIGHT PLATE, 20 LB

# FZGL GLUTE

## OPTIONAL 2.5 LB. INCREMENT WEIGHT ASSY. - 8861301

---



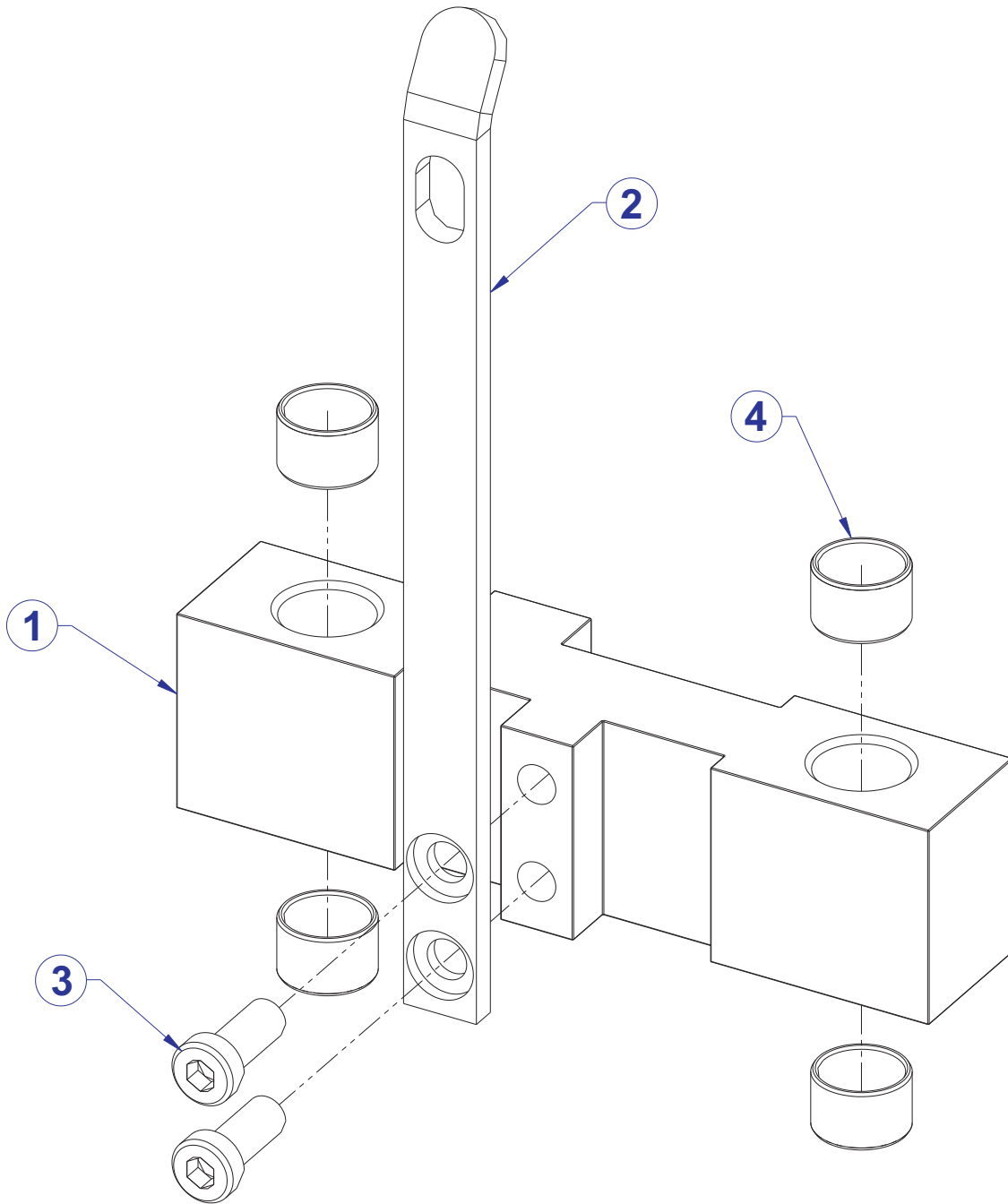
ITEM NO.	QTY.	PART NO.	DESCRIPTION
1	1	8861295	INCREMENT WEIGHT, FZ OPTIONAL - SG
2	1	7328001	BRKT, INCREMENT WT - 5 LB
3	2	3236202	SCREW, M10 X1.5 25MM
4	4	3202501	BEARING, SLEEVE 20 ID X 23.00 X 15 MM



# FZGL GLUTE

## OPTIONAL 5 LB. INCREMENT WEIGHT ASSY. - 8861401

---

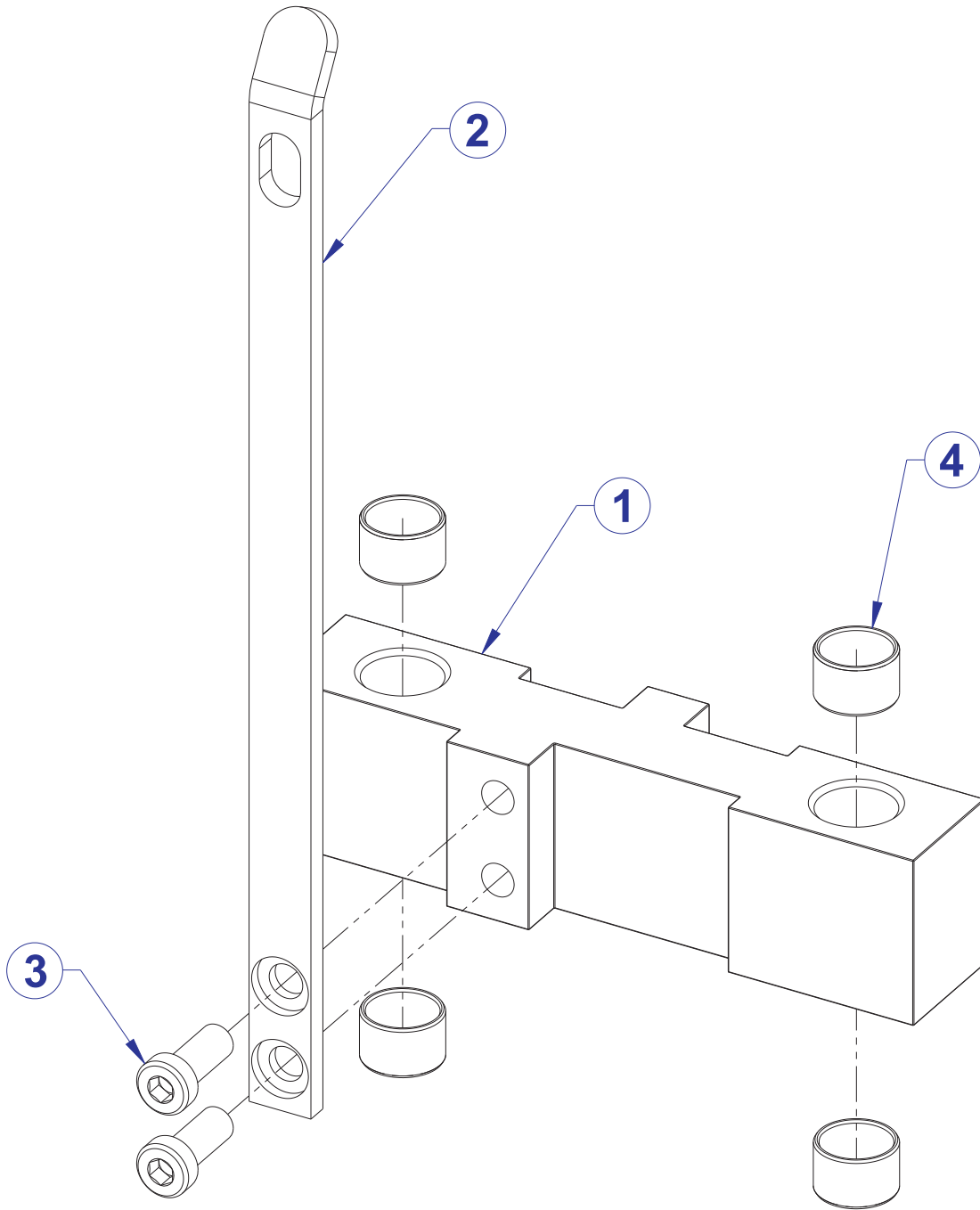


ITEM NO.	QTY.	PART NO.	DESCRIPTION
1	1	8861295	INCREMENT WEIGHT, FZ OPTIONAL - SG
2	1	7328101	BRKT, INCREMENT WT - 10 LB
3	2	3236202	SCREW, M10 X1.5 25MM
4	4	3202501	BEARING, SLEEVE 20 ID X 23.00 X 15 MM

# FZGL GLUTE

## OPTIONAL 7.5 LB. INCREMENT WEIGHT ASSY. - 8861501

---



ITEM NO.	QTY.	PART NO.	DESCRIPTION
1	1	8861295	INCREMENT WEIGHT, FZ OPTIONAL - SG
2	1	7328201	BRKT, INCREMENT WT - 15 LB
3	2	3236202	SCREW, M10 X1.5 25MM
4	4	3202501	BEARING, SLEEVE 20 ID X 23.00 X 15 MM



# FZGL GLUTE HEAD PLATE ASSEMBLY LEGEND

---

ITEM NO.	QTY.	PART NO.	DESCRIPTION	
1	1	7326701	HEAD PLATE	
2	1	7347801	STEM, 9 PLATE	
3	1	3236001	BUSHING, SPRING PIN	
4	1	7327201	WLDMT, INCREMENT WT PIN	
5	1	8024501	SPRING, 1/2 OD X 1-1/2	
6	1	7326101	KNOB, INC WT SELECTOR	
7*	1	3110008	ROLL PIN, 1/8 X 1-1/4	
8*	1	7326401	HOUSING, SELECTOR - FRONT	
9*	1	7326501	HOUSING, SELECTOR - REAR	
10	1	7356501	PLUG, LANYARD ATTACHMENT	
11	4	3236202	SCREW, M10 X1.5 25MM	
12	1	7338101	ASSY, WT STACK SELECTOR PIN	
13	1	7523601	CRIMP, CABLE	
14	1	8867301	ASSY, FZ, STABILIZER WITH BUSHINGS	
15**	A)	1	7398601	CAP, SELECTOR KNOB, LBS
	B)	1	7398701	CAP, SELECTOR KNOB, KG
	C)	1	8865801	CAP, FZ SELECTOR KNOB - 2.5 LBS

\* kit exists for component set. See bulletin FZ02012701N

\*\* Language specific/Weight stack item. Order separately-not part of assembly.

FZGL GLUTE  
IMAGE

---

